

Series 13-22-MXQ $\varnothing 6, \varnothing 8, \varnothing 12, \varnothing 16, \varnothing 20, \varnothing 25$ Air Slide Table



How to Order

Clean series
 13 Vacuum suction type (Special treatment on guide)

Port thread type

Symbol	Type	Bore size
Nil	M thread	$\varnothing 6$ to $\varnothing 16$
	Rc	$\varnothing 20, \varnothing 25$
TN	NPT	$\varnothing 20, \varnothing 25$
TF	G	$\varnothing 20, \varnothing 25$

13—MXQ 12 [] [] 50 [] [] M9N []

22—MXQ 12 [] [] 50 [] [] M9N []

Copper, fluorine and silicone-free + Low particle generation
 22 Vacuum suction type

Symmetric type

Nil	Standard
L	Symmetric

Bore size/Stroke (mm)

	10, 20, 30, 40, 50
6	10, 20, 30, 40, 50
8	10, 20, 30, 40, 50, 75
12	10, 20, 30, 40, 50, 75, 100
16	10, 20, 30, 40, 50, 75, 100, 125
20	10, 20, 30, 40, 50, 75, 100, 125, 150
25	10, 20, 30, 40, 50, 75, 100, 125, 150

Number of auto switches

Nil	2 pcs.
S	1 pc.
n	"n" pcs.

Auto switch

Nil	Without auto switch (Built-in magnet)

* For the applicable auto switch model, refer to the table below.

Adjuster option

Nil	Without adjuster
AS	Extension end rubber stopper
AT	Retraction end rubber stopper
A	Both ends rubber stopper
CS	Extension end metal stopper
CT	Retraction end metal stopper
C	Both ends metal stopper
ASCT	Extension end adjuster + Retraction end metal stopper
CSAT	Extension end metal stopper + Retraction end adjuster

Functional option

Nil	Standard
P (Note)	Axial piping

Note) The combination of axial piping and both ends adjusters or retraction end adjuster is not available.

Auto Switch Specifications (Refer to the WEB catalog for detailed specifications and auto switches not in the following table.)

Type	Special function	Electrical entry	Indicator light	Wiring (Output)	Load voltage		Auto switch model	Lead wire length (m) *				Applicable load		
					DC	AC		Electrical entry direction						
							In-line				0.5 (Nil)		1 (M)	3 (L)
Reed auto switch	—	Grommet	Yes	2-wire	24 V	12 V	100 V	A93	●	—	●	—	—	Relay, PLC
Solid state auto switch	—	Grommet	Yes	3-wire (NPN)	24 V	12 V	—	M9N	●	●	●	○	—	Relay, PLC
				2-wire				M9B	●	●	●	○	—	—

* Lead wire length symbols: 0.5 m Nil (Example) M9N
 1 m M (Example) M9NM
 3 m L (Example) M9NL
 5 m Z (Example) M9NZ

PLC: Programmable Logic Controller

Refer to page 889 for the applicable auto switch list.

Specifications

Bore size (mm)	6	8	12	16	20	25
Fluid	Air					
Action	Double acting					
Operating pressure	0.15 to 0.7 MPa					
Proof pressure	1.05 MPa					
Ambient and fluid temperature	-10 to 60°C (No freezing)					
Piston speed	50 to 300 mm/s (Adjuster option/Metal stopper: 50 to 200 mm/s)					
Cushion	Rubber bumper (Standard, Adjuster option/Rubber stopper) None (Adjuster option/Metal stopper)					
Lubrication	Non-lube					
Stroke length tolerance	+1 0 mm					
Grease	13-: Fluorine grease 22-: Lithium soap based grease					
Cleanliness class (ISO class)	Without adjuster	13-/22-: Class 5				
	Rubber stopper	13-/22-: Class 6				
	Metal stopper	13-/22-: Class 6				

Suction Flow Rate of Vacuum Suction Type (Reference values)

Bore size	Suction flow rate L/min (ANR)
6, 8, 12	1
16	2
20	3
25	5

Adjuster Option: Stroke Adjustment Range

Rubber stopper	Extension end (AS)	Stroke adjustment range 0 to 5 mm
	Retraction end (AT)	
	Both ends (A)	
Metal stopper	Extension end (CS)	Stroke adjustment range 0 to 5 mm
	Retraction end (CT)	
	Both ends (C)	

Proper Auto Switch Mounting Position (Detection at Stroke End)



Reed auto switch: D-A93

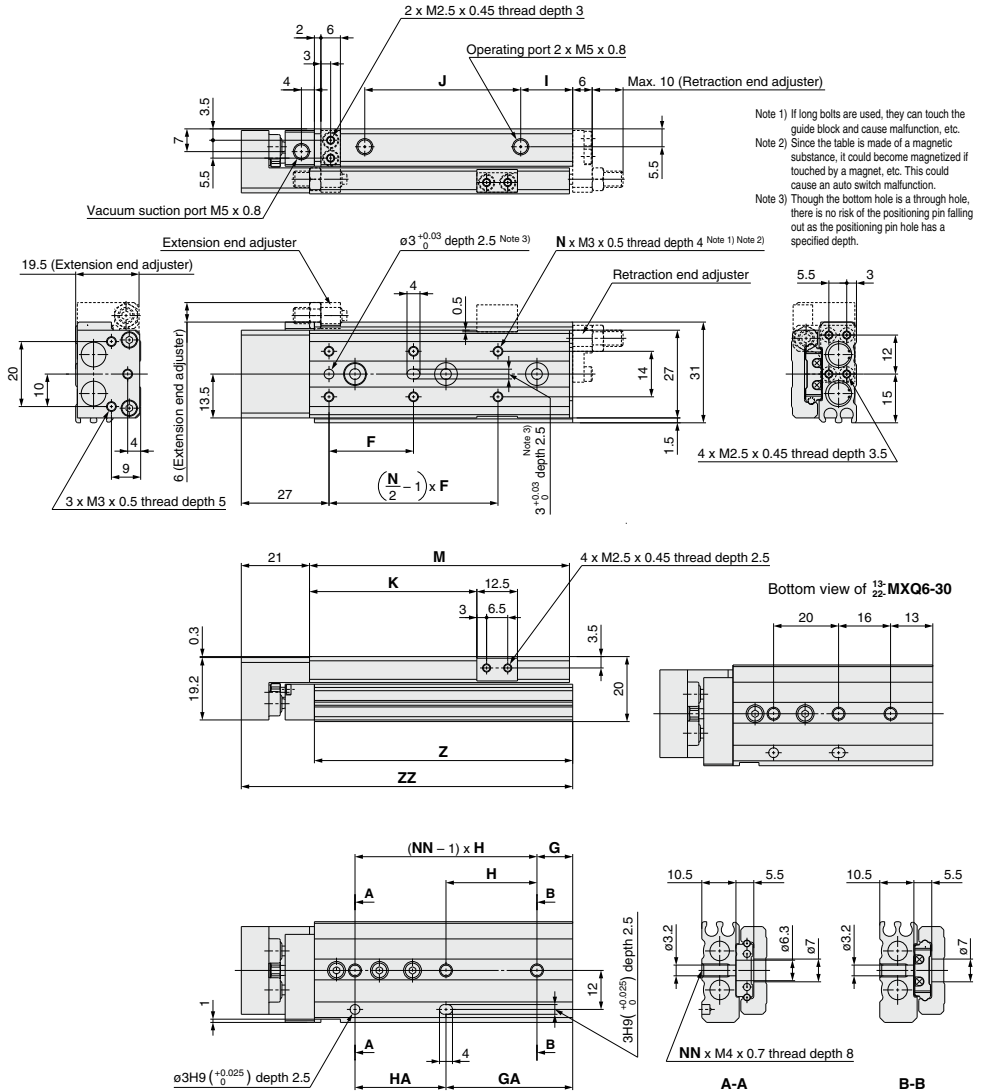
Model	A	B Stroke										E Stroke										Auto switch operating range
		10	20	30	40	50	75	100	125	150	10	20	30	40	50	75	100	125	150			
13-/22-MXQ6(L)	6	5.5	5.5	5.5	13.5	13.5	—	—	—	—	1	1	1	9	9	—	—	—	4.5			
13-/22-MXQ8(L)	7.5	8	8	12	16	31	32	—	—	—	3.5	3.5	7.5	11.5	26.5	27.5	—	—	5			
13-/22-MXQ12(L)	11.5	24.5	14.5	14.5	21.5	21.5	40.5	40.5	—	20	10	10	17	17	36	36	—	—	6			
13-/22-MXQ16(L)	16.5	30.5	20.5	20.5	20.5	26.5	33.5	51.5	51.5	—	26	16	16	16	22	29	47	47	7			
13-/22-MXQ20(L)	19	43.5	33.5	23.5	33.5	31.5	39.5	71.5	74.5	77.5	39	29	19	29	27	35	67	70	8			
13-/22-MXQ25(L)	22	52.5	42.5	32.5	32.5	46.5	46.5	60.5	88.5	88.5	48	38	28	28	42	42	56	84	9			

Solid state auto switch: D-M9B, D-M9N

Model	A	B Stroke										E Stroke										Auto switch operating range
		10	20	30	40	50	75	100	125	150	10	20	30	40	50	75	100	125	150			
13-/22-MXQ6(L)	10	9.5	9.5	9.5	17.5	17.5	—	—	—	—	-0.5	-0.5	-0.5	7.5	7.5	—	—	—	1.5			
13-/22-MXQ8(L)	11.5	12	12	16	20	35	36	—	—	—	2	2	6	10	25	26	—	—	1.5			
13-/22-MXQ12(L)	15.5	28.5	18.5	18.5	25.5	25.5	44.5	44.5	—	18.5	8.5	8.5	15.5	15.5	34.5	34.5	—	—	2.5			
13-/22-MXQ16(L)	20.5	34.5	24.5	24.5	24.5	30.5	37.5	55.5	55.5	—	24.5	14.5	14.5	14.5	20.5	27.5	45.5	45.5	3			
13-/22-MXQ20(L)	23	47.5	37.5	27.5	37.5	35.5	43.5	75.5	78.5	81.5	37.5	27.5	17.5	27.5	25.5	33.5	65.5	68.5	3			
13-/22-MXQ25(L)	27	56.5	46.5	36.5	36.5	50.5	50.5	64.5	92.5	92.5	46.5	36.5	26.5	26.5	40.5	40.5	54.5	82.5	3			

Dimensions: 13-22-MXQ6

Basic

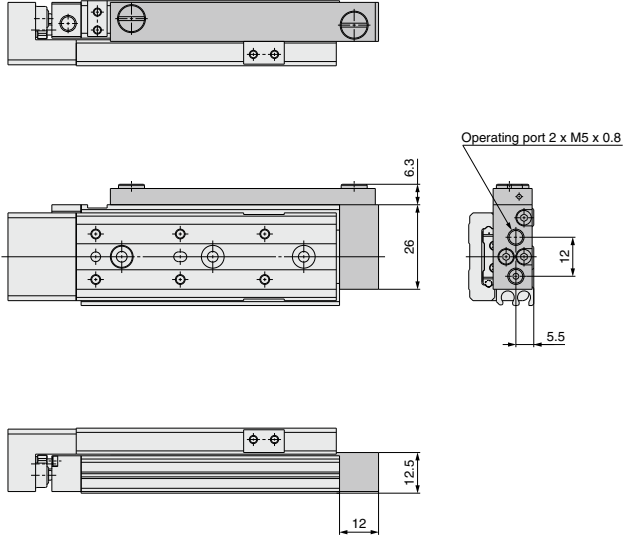


Model	F	N	G	H	NN	GA	HA	I	J	K	M	Z	ZZ
13-22-MXQ6-10	22	4	6	23	2	13	16	9	17	21.5	42	41.5	64
13-22-MXQ6-20	25	4	13	26	2	13	26	9	27	31.5	52	51.5	74
13-22-MXQ6-30	21	6	— ^{Note)}	— ^{Note)}	3	29	20	9	37	41.5	62	61.5	84
13-22-MXQ6-40	26	6	11	28	3	39	28	16	48	51.5	80	79.5	102
13-22-MXQ6-50	27	6	21	28	3	49	28	9	65	61.5	90	89.5	112

Note) Refer to the bottom view of 13-22-MXQ6-30.

Dimensions: ¹³⁻₂₂₋**MXQ6**

Axial piping (ø6): ¹³⁻₂₂₋**MXQ6-□□P**



* Other dimensions are the same as basic type.

Directional
Control Valves

Air Cylinders

Rotary Actuators

Air Grippers

Air Preparation
Equipment

Modular F. R.

Pressure Control
Equipment

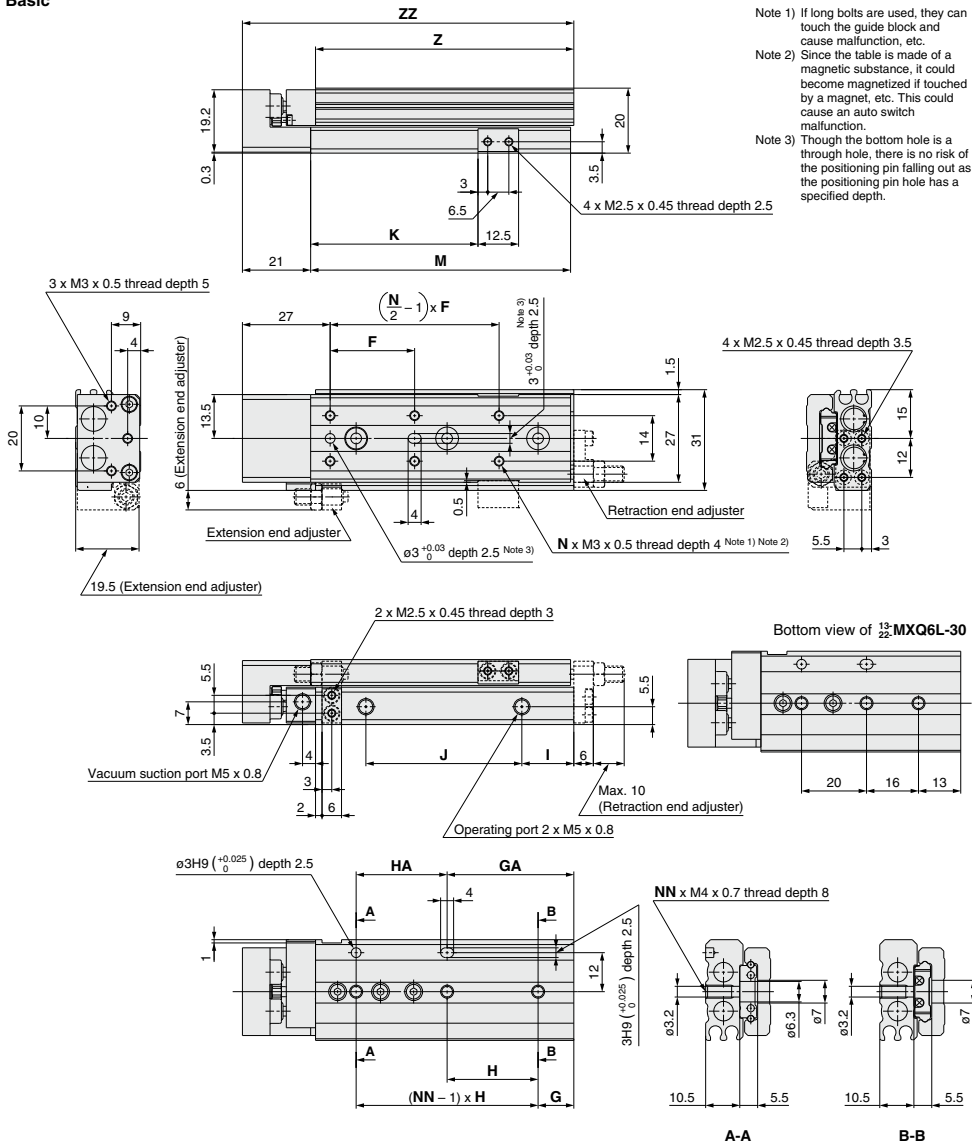
Fittings & Tubing

Flow Control
Equipment

Pressure Switches/
Pressure Sensors

Dimensions: 13-22-MXQ6L / Symmetric Type

Basic

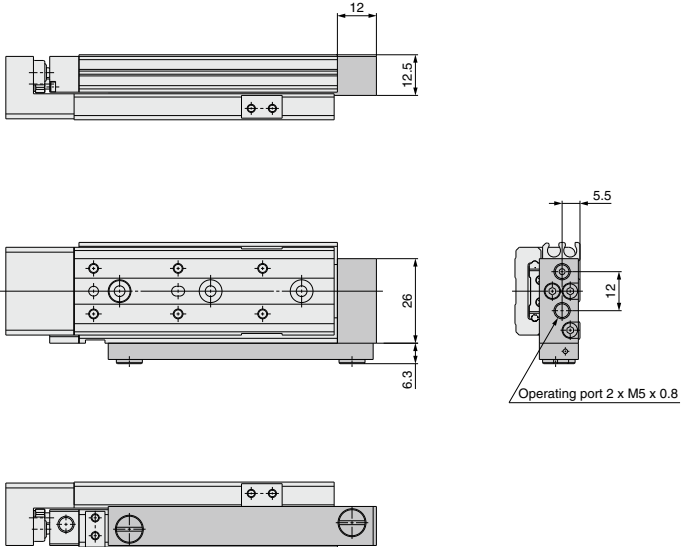


Model	F	N	G	H	NN	GA	HA	I	J	K	M	Z	ZZ
13-/22-MXQ6L-10	22	4	6	23	2	13	16	9	17	21.5	42	41.5	64
13-/22-MXQ6L-20	25	4	13	26	2	13	26	9	27	31.5	52	51.5	74
13-/22-MXQ6L-30	21	6	(Note)	(Note)	3	29	20	9	37	41.5	62	61.5	84
13-/22-MXQ6L-40	26	6	11	28	3	39	28	16	48	51.5	80	79.5	102
13-/22-MXQ6L-50	27	6	21	28	3	49	28	9	65	61.5	90	89.5	112

(Note) Refer to the bottom view of 13-22-MXQ6-30.

Dimensions: ¹³⁻/₂₂₋MXQ6L / Symmetric Type

Axial piping (ø6): ¹³⁻/₂₂₋MXQ6L-□□P



* Other dimensions are the same as basic type.

Directional
Control Valves

Air Cylinders

Rotary Actuators

Air Grippers

Air Preparation
Equipment

Modular F. R.

Pressure Control
Equipment

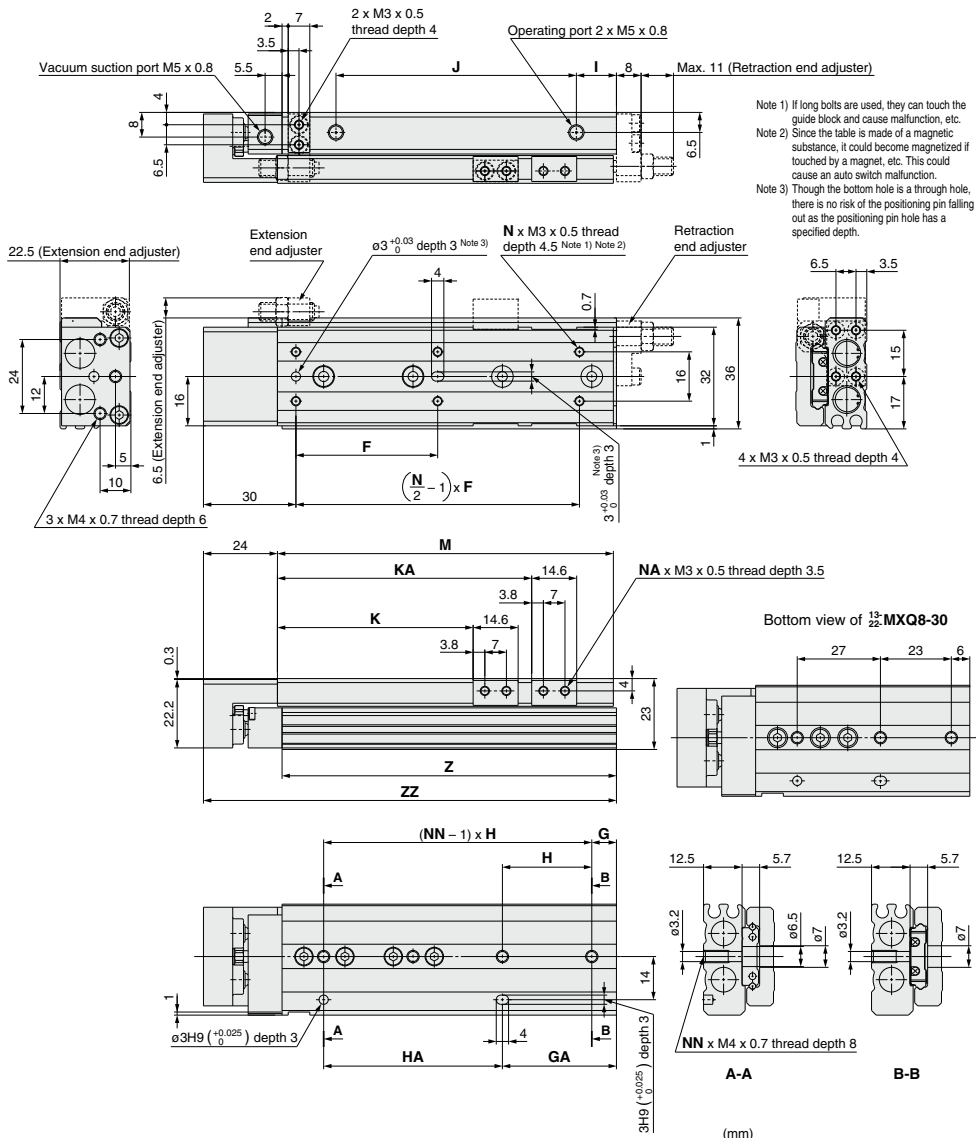
Fittings & Tubing

Flow Control
Equipment

Pressure Switches/
Pressure Sensors

Dimensions: 13-22-MXQ8

Basic

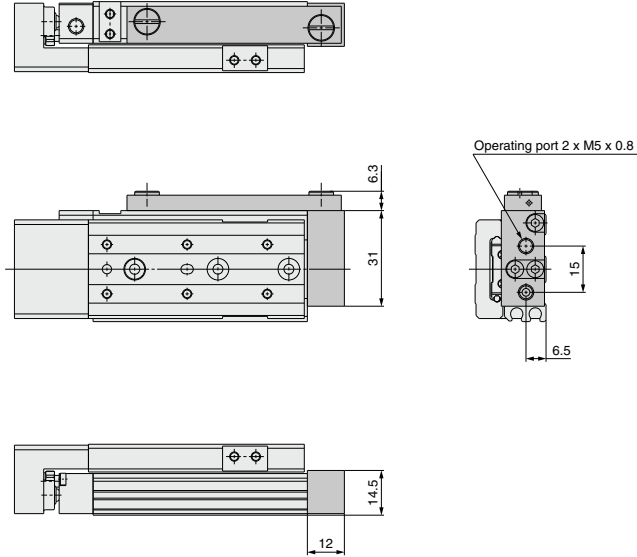


Note 1) If long bolts are used, they can touch the guide block and cause malfunction, etc.
 Note 2) Since the table is made of a magnetic substance, it could become magnetized if touched by a magnet, etc. This could cause an auto switch malfunction.
 Note 3) Though the bottom hole is a through hole, there is no risk of the positioning pin falling out as the positioning pin hole has a specified depth.

Note) Refer to the bottom view of 13-22-MXQ8-30.

Dimensions: ¹³⁻₂₂₋MXQ8

Axial piping (ø8): ¹³⁻₂₂₋MXQ8-□□P



* Other dimensions are the same as basic type.

Directional Control Valves

Air Cylinders

Rotary Actuators

Air Grippers

Air Preparation Equipment

Modular F. R.

Pressure Control Equipment

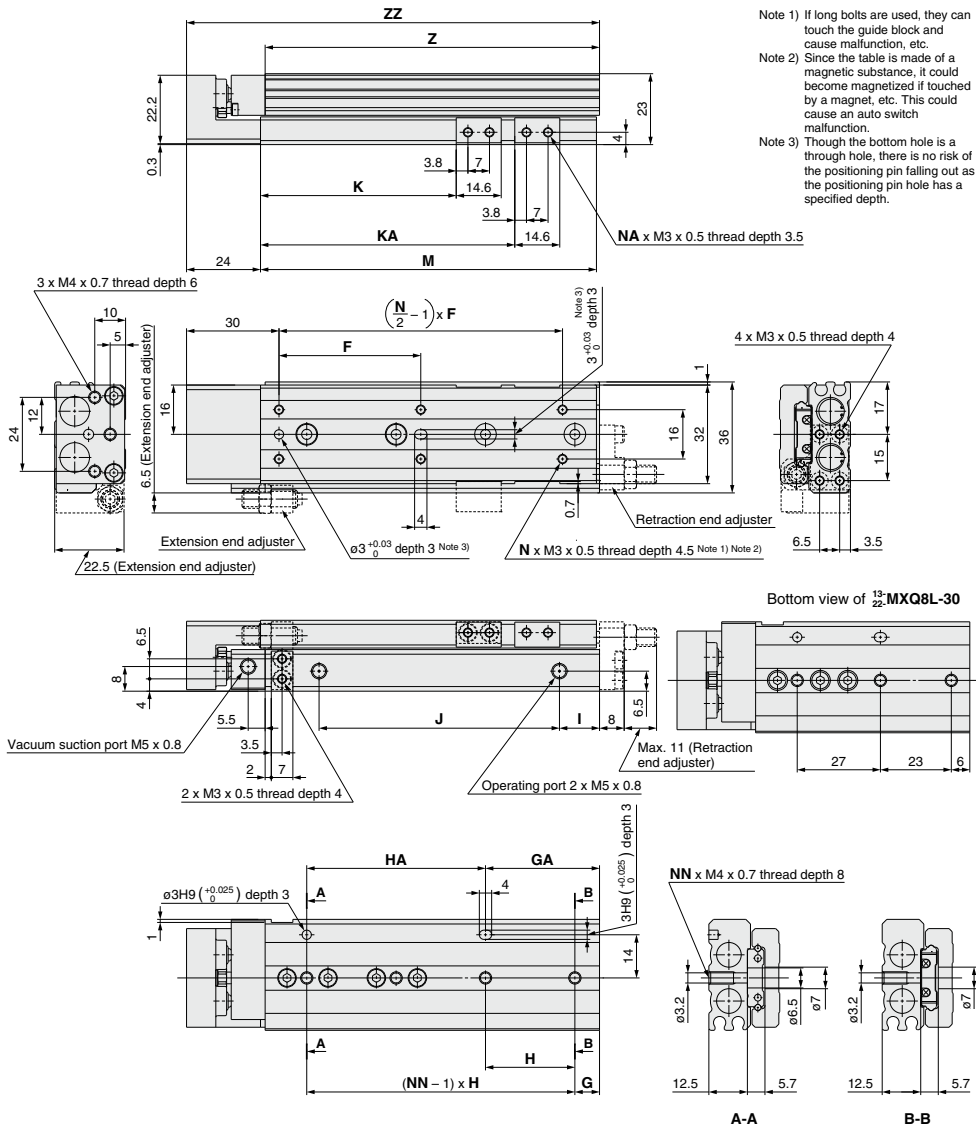
Fittings & Tubing

Flow Control Equipment

Pressure Switches/ Pressure Sensors

Dimensions: 13-22-MXQ8L / Symmetric Type

Basic

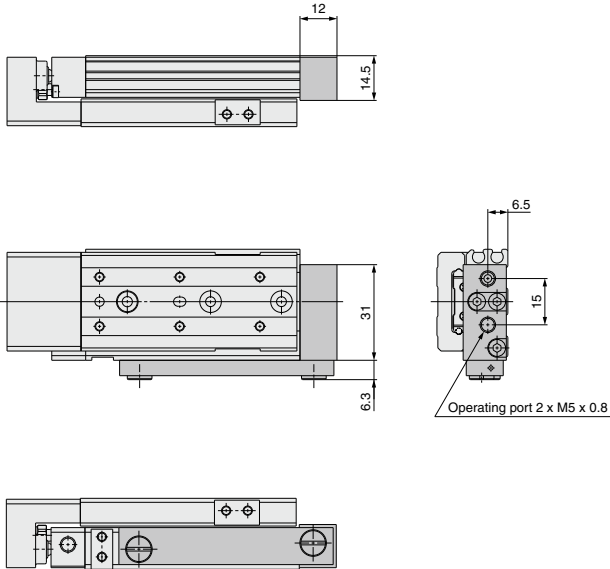


Model	F	N	G	H	NN	GA	HA	I	J	K	KA	NA	M	Z	ZZ
13-22-MXQ8L-10	25	4	7	25	2	13	19	11	17	23.5	—	4	46	45.5	71
13-22-MXQ8L-20	25	4	14	28	2	14	28	10	28	33.5	—	4	56	55.5	81
13-22-MXQ8L-30	26	6	Note1)	Note1)	3	29	27	12	40	43.5	—	4	70	69.5	95
13-22-MXQ8L-40	32	6	8	31	3	39	31	14	52	53.5	—	4	84	83.5	109
13-22-MXQ8L-50	46	6	8	29	4	37	58	13	78	63.5	82.5	8	109	108.5	134
13-22-MXQ8L-75	50	6	31	30	4	61	60	12	105	88.5	112.5	8	135	134.5	160

Note) Refer to the bottom view of 13-22-MXQ8L-30.

Dimensions: ¹³⁻₂₂₋MXQ8L / Symmetric Type

Axial piping (ø8): ¹³⁻₂₂₋MXQ8L-□□P



* Other dimensions are the same as basic type.

Directional Control Valves

Air Cylinders

Rotary Actuators

Air Grippers

Air Preparation Equipment

Modular F. R.

Pressure Control Equipment

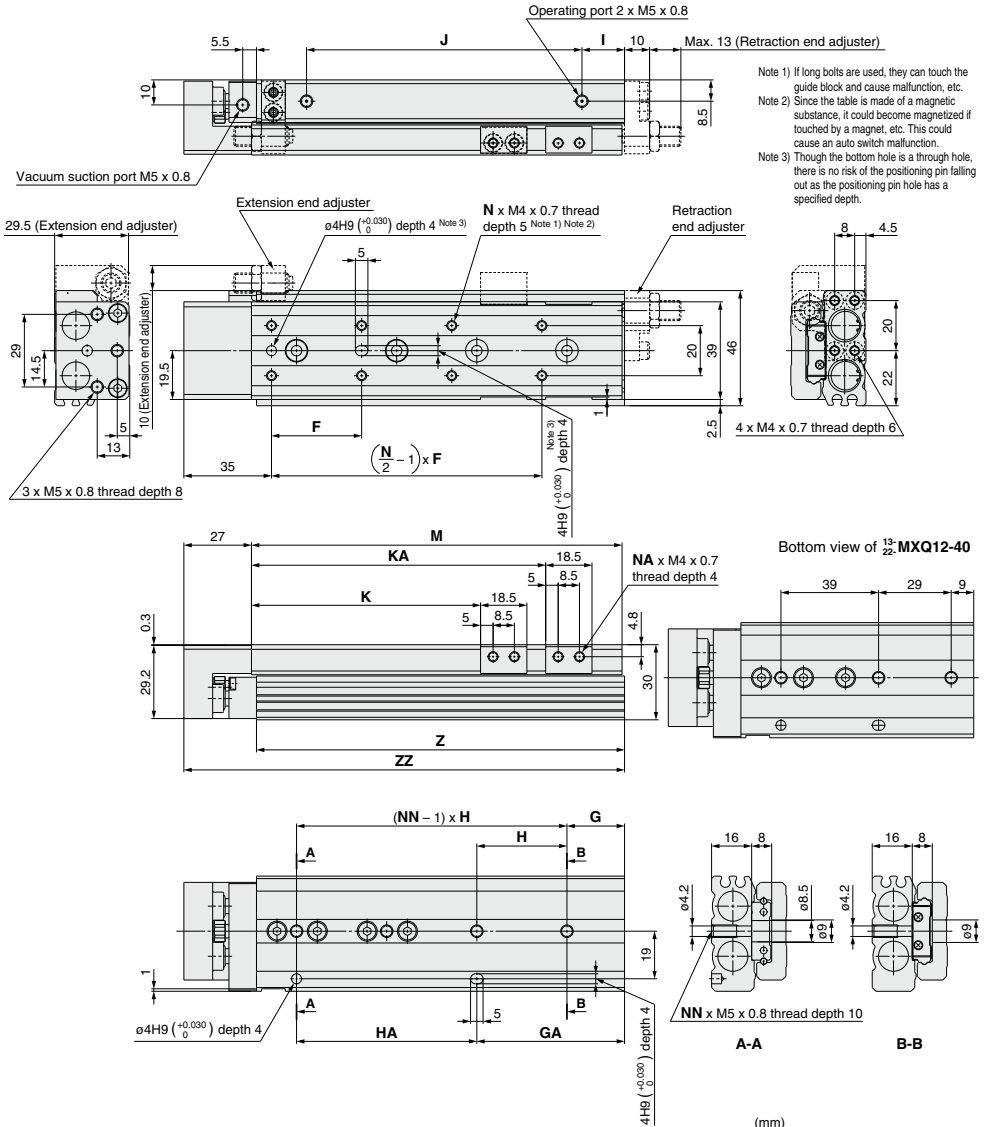
Fittings & Tubing

Flow Control Equipment

Pressure Switches/ Pressure Sensors

Dimensions: **13-22-MXQ12**

Basic

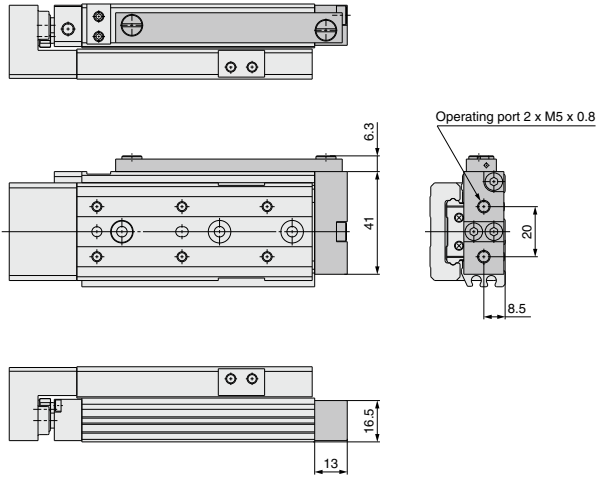


Model	F	N	G	H	NN	GA	HA	I	J	K	KA	NA	M	Z	ZZ
13-22-MXQ12- 10	28	4	18	32	2	18	32	12	34	26.5	—	4	67	66	95
13-22-MXQ12- 20	28	4	18	32	2	18	32	12	34	36.5	—	4	67	66	95
13-22-MXQ12- 30	38	4	20	40	2	20	40	14	42	46.5	—	4	77	76	105
13-22-MXQ12- 40	34	6	<small>N(9)</small>	<small>Notes</small>	3	38	39	15	58	56.5	—	4	94	93	122
13-22-MXQ12- 50	34	6	9	39	3	48	39	13	70	66.5	—	4	104	103	132
13-22-MXQ12- 75	36	8	23	36	4	59	72	17	110	91.5	117.5	8	148	147	176
13-22-MXQ12-100	36	10	12	36	5	84	72	17	135	116.5	142.5	8	173	172	201

Note) Refer to the bottom view of **13-22-MXQ12-40**.

Dimensions: ¹³⁻₂₂₋MXQ12

Axial piping (ø12): ¹³⁻₂₂₋MXQ12-□□P



* Other dimensions are the same as basic type.

Directional Control Valves

Air Cylinders

Rotary Actuators

Air Grippers

Air Preparation Equipment

Modular F. R.

Pressure Control Equipment

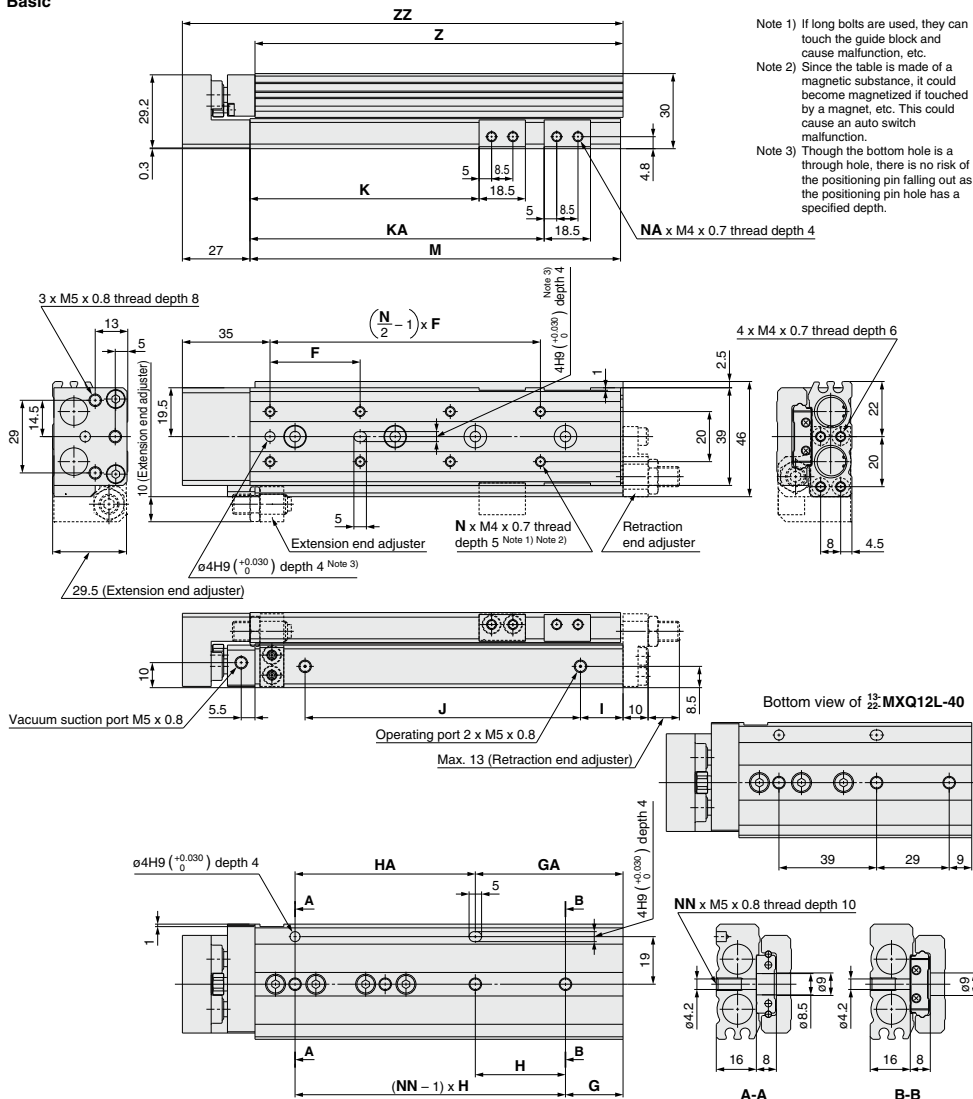
Fittings & Tubing

Flow Control Equipment

Pressure Switches/ Pressure Sensors

Dimensions: 13-22-MXQ12L / Symmetric Type

Basic



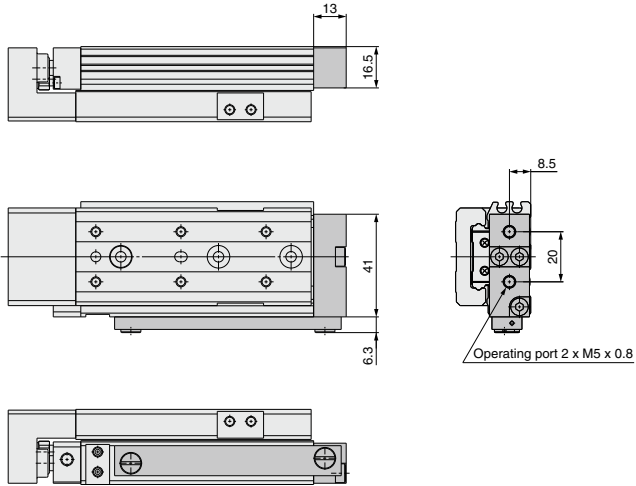
Note 1) If long bolts are used, they can touch the guide block and cause malfunction, etc.
 Note 2) Since the table is made of a magnetic substance, it could become magnetized if touched by a magnet, etc. This could cause an auto switch malfunction.
 Note 3) Though the bottom hole is a through hole, there is no risk of the positioning pin falling out as the positioning pin hole has a specified depth.

Model	F	N	G	H	NN	GA	HA	I	J	K	KA	NA	M	Z	ZZ
13-22-MXQ12L- 10	28	4	18	32	2	18	32	12	34	26.5	—	4	67	66	95
13-22-MXQ12L- 20	28	4	18	32	2	18	32	12	34	36.5	—	4	67	66	95
13-22-MXQ12L- 30	38	4	20	40	2	20	40	14	42	46.5	—	4	77	76	105
13-22-MXQ12L- 40	34	6	<small>(Note)</small>	<small>(Note)</small>	3	38	39	15	58	56.5	—	4	94	93	122
13-22-MXQ12L- 50	34	6	9	39	3	48	39	13	70	66.5	—	4	104	103	132
13-22-MXQ12L- 75	36	8	23	36	4	59	72	17	110	91.5	117.5	8	148	147	176
13-22-MXQ12L-100	36	10	12	36	5	84	72	17	135	116.5	142.5	8	173	172	201

(Note) Refer to the bottom view of 13-22-MXQ12L-40.

Dimensions: 13-22-MXQ12L / Symmetric Type

Axial piping (ø12): 13-22-MXQ12L-□□P



* Other dimensions are the same as basic type.

Directional Control Valves

Air Cylinders

Rotary Actuators

Air Grippers

Air Preparation Equipment

Modular F. R.

Pressure Control Equipment

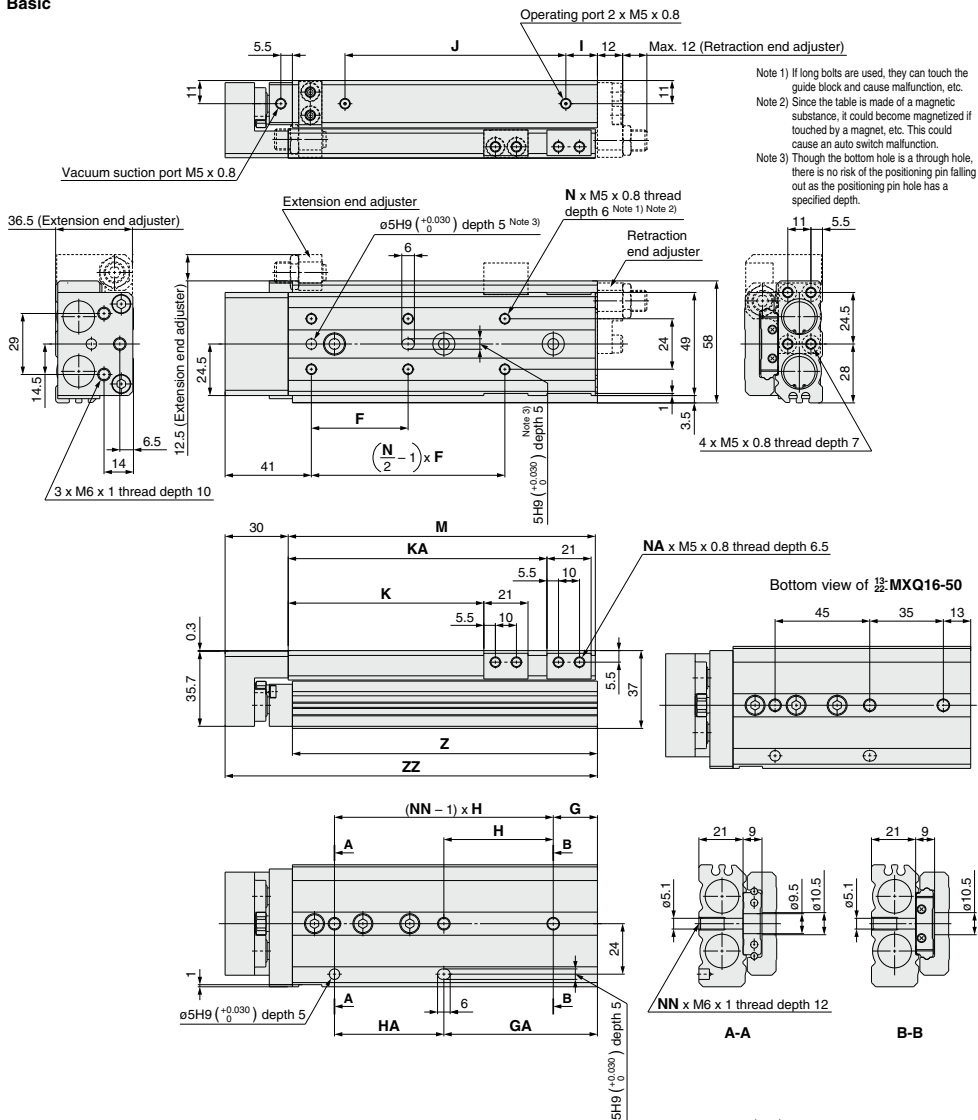
Fittings & Tubing

Flow Control Equipment

Pressure Switches/ Pressure Sensors

Dimensions: **13-22-MXQ16**

Basic



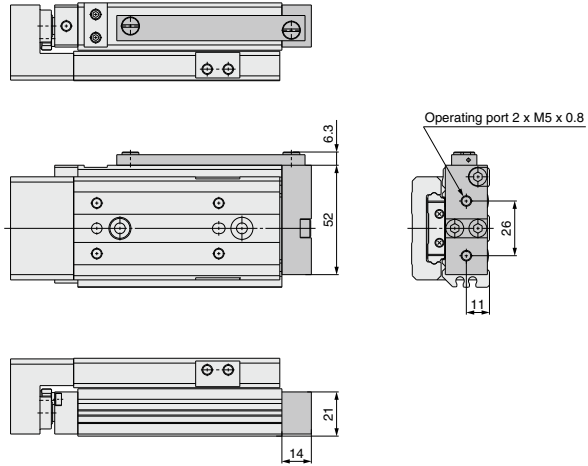
Note 1) If long bolts are used, they can touch the guide block and cause malfunction, etc.
 Note 2) Since the table is made of a magnetic substance, it could become magnetized if touched by a magnet, etc. This could cause an auto switch malfunction.
 Note 3) Though the bottom hole is a through hole, there is no risk of the positioning pin falling out as the positioning pin hole has a specified depth.

Model	F	N	G	H	NN	GA	HA	I	J	K	KA	NA	M	Z	ZZ
13-22-MXQ16- 10	38	4	18	39	2	18	39	12	40	28	—	4	78	77	109
13-22-MXQ16- 20	38	4	18	39	2	18	39	12	40	38	—	4	78	77	109
13-22-MXQ16- 30	48	4	19	48	2	19	48	12	50	48	—	4	88	87	119
13-22-MXQ16- 40	58	4	19	58	2	19	58	12	60	58	—	4	98	97	129
13-22-MXQ16- 50	40	6	<small>Noted</small>	<small>Noted</small>	3	48	45	20	68	68	91	8	114	113	145
13-22-MXQ16- 75	46	6	21	52	3	73	52	15	105	93	123	8	146	145	177
13-22-MXQ16-100	44	8	36	44	4	80	88	18	145	118	166	8	189	188	220
13-22-MXQ16-125	44	10	17	44	5	105	88	23	165	143	191	8	214	213	245

Note) Refer to the bottom view of 13-22-MXQ16-50.

Dimensions: ¹³⁻₂₂₋**MXQ16**

Axial piping (ø16): ¹³⁻₂₂₋**MXQ16-□□P**



* Other dimensions are the same as basic type.

Directional
Control Valves

Air Cylinders

Rotary Actuators

Air Grippers

Air Preparation
Equipment

Modular F. R.

Pressure Control
Equipment

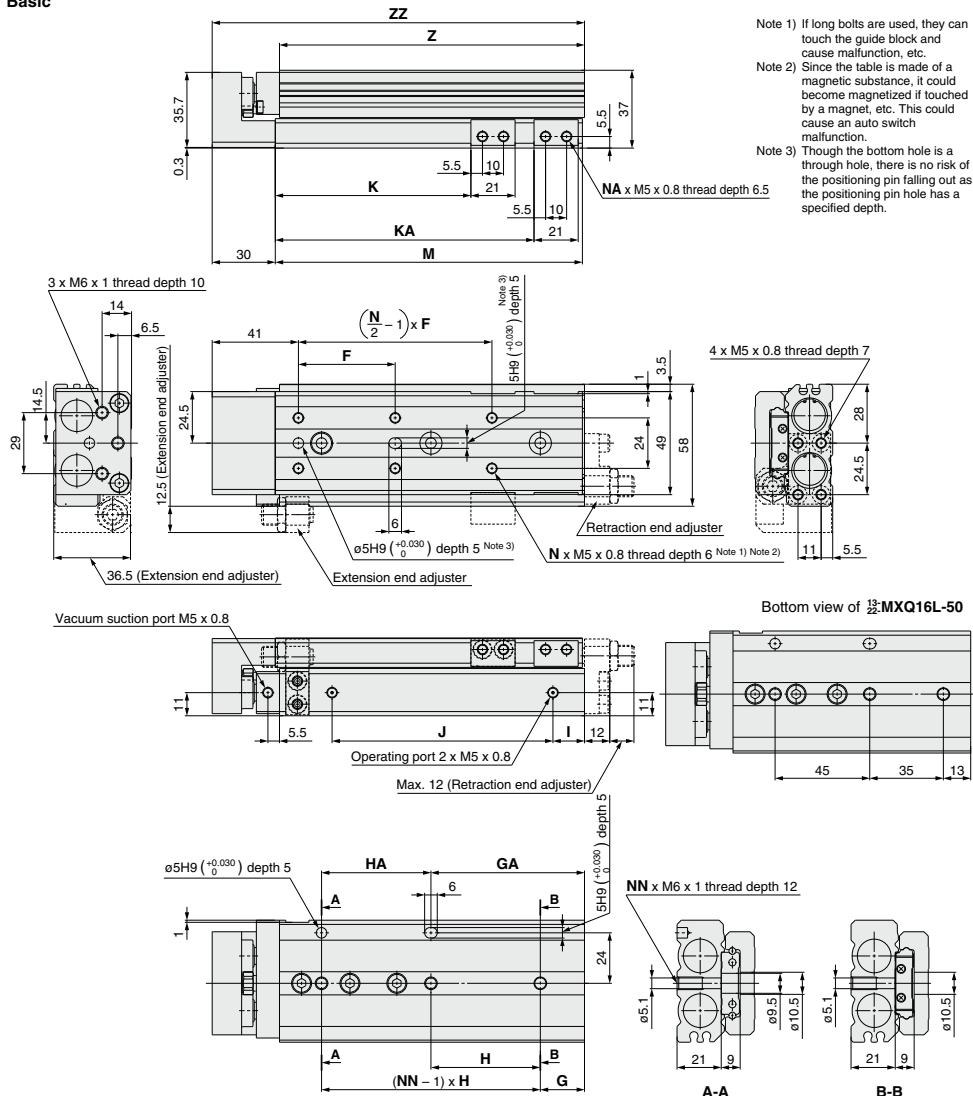
Fittings & Tubing

Flow Control
Equipment

Pressure Switches/
Pressure Sensors

Dimensions: 13-22-MXQ16L / Symmetric Type

Basic

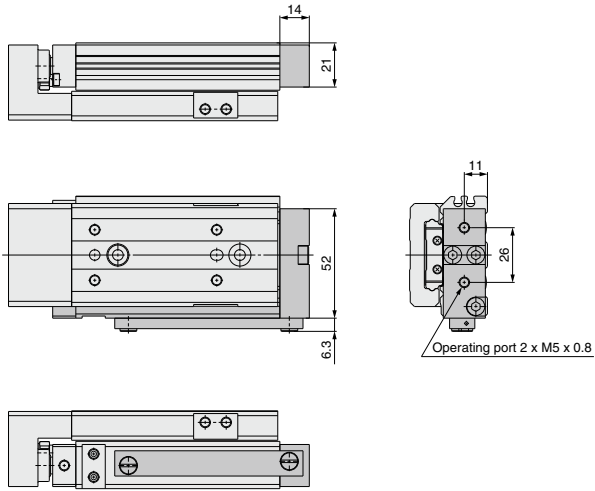


Model	F	N	G	H	NN	GA	HA	I	J	K	KA	NA	M	Z	ZZ
13-22-MXQ16L- 10	38	4	18	39	2	18	39	12	40	28	—	4	78	77	109
13-22-MXQ16L- 20	38	4	18	39	2	18	39	12	40	38	—	4	78	77	109
13-22-MXQ16L- 30	48	4	19	48	2	19	48	12	50	48	—	4	88	87	119
13-22-MXQ16L- 40	58	4	19	58	2	19	58	12	60	58	—	4	98	97	129
13-22-MXQ16L- 50	40	6	(Note)	(Note)	3	48	45	20	68	68	91	8	114	113	145
13-22-MXQ16L- 75	46	6	21	52	3	73	52	15	105	93	123	8	146	145	177
13-22-MXQ16L-100	44	8	36	44	4	80	88	18	145	118	166	8	189	188	220
13-22-MXQ16L-125	44	10	17	44	5	105	88	23	165	143	191	8	214	213	245

Note) Refer to the bottom view of 13-22-MXQ16L-50.

Dimensions: ¹³⁻/₂₂₋MXQ16L / Symmetric Type

Axial piping (ø16): ¹³⁻/₂₂₋MXQ16L-□□P



* Other dimensions are the same as basic type.

Directional
Control Valves

Air Cylinders

Rotary Actuators

Air Grippers

Air Preparation
Equipment

Modular F. R.

Pressure Control
Equipment

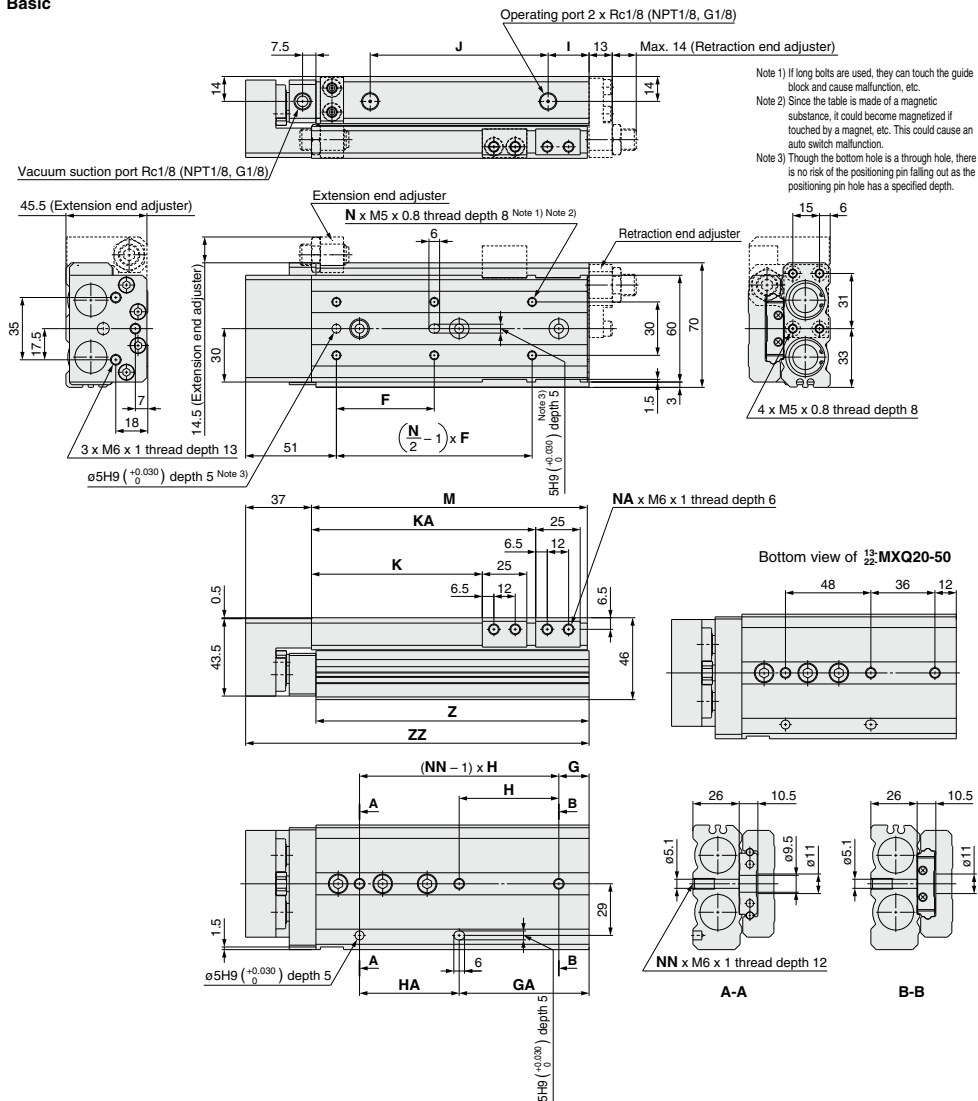
Fittings & Tubing

Flow Control
Equipment

Pressure Switches/
Pressure Sensors

Dimensions: 13-22-MXQ20

Basic



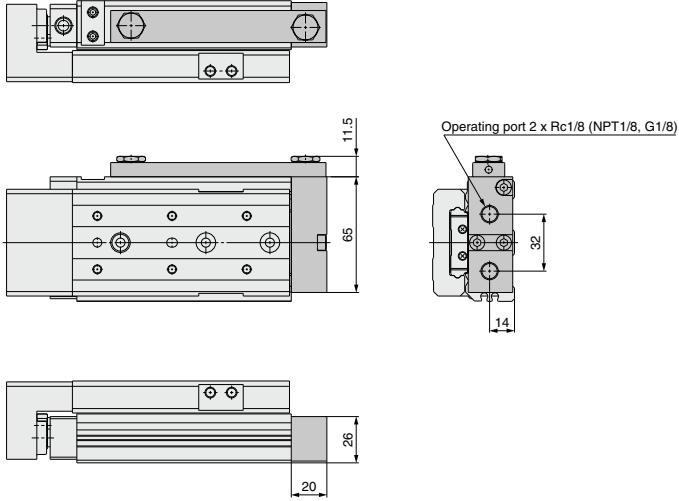
- Note 1) If long bolts are used, they can touch the guide block and cause malfunction, etc.
- Note 2) Since the table is made of a magnetic substance, it could become magnetized if touched by a magnet, etc. This could cause an auto switch malfunction.
- Note 3) Though the bottom hole is a through hole, there is no risk of the positioning pin falling out as the positioning pin hole has a specified depth.

Model	F	N	G	H	NN	GA	HA	I	J	K	KA	NA	M	Z	ZZ
13-/22-MXQ20- 10	45	4	22	46	2	18	50	16	46	31	—	4	94	92.5	132
13-/22-MXQ20- 20	40	4	22	46	2	18	50	16	46	41	—	4	94	92.5	132
13-/22-MXQ20- 30	48	4	22	46	2	18	50	16	46	51	—	4	94	92.5	132
13-/22-MXQ20- 40	58	4	22	56	2	22	56	16	56	61	—	4	104	102.5	142
13-/22-MXQ20- 50	42	6	$\begin{smallmatrix} \text{None} \\ \text{None} \end{smallmatrix}$	—	3	48	48	18	72	71	—	4	122	120.5	160
13-/22-MXQ20- 75	55	6	17	56	3	73	56	23	100	96	126	8	155	153.5	193
13-/22-MXQ20-100	50	8	18	56	4	74	112	25	155	121	183	8	212	210.5	250
13-/22-MXQ20-125	55	8	37	59	4	96	118	18	190	146	211	8	240	238.5	278
13-/22-MXQ20-150	62	8	56	62	4	118	124	21	215	171	239	8	268	266.5	306

Note) Refer to the bottom view of 13-22-MXQ20-50.

Dimensions: ¹³⁻~~22-~~**MXQ20**

Axial piping (ø20): ¹³⁻~~22-~~**MXQ20-□□P**



* Other dimensions are the same as basic type.

Directional Control Valves

Air Cylinders

Rotary Actuators

Air Grippers

Air Preparation Equipment

Modular F. R.

Pressure Control Equipment

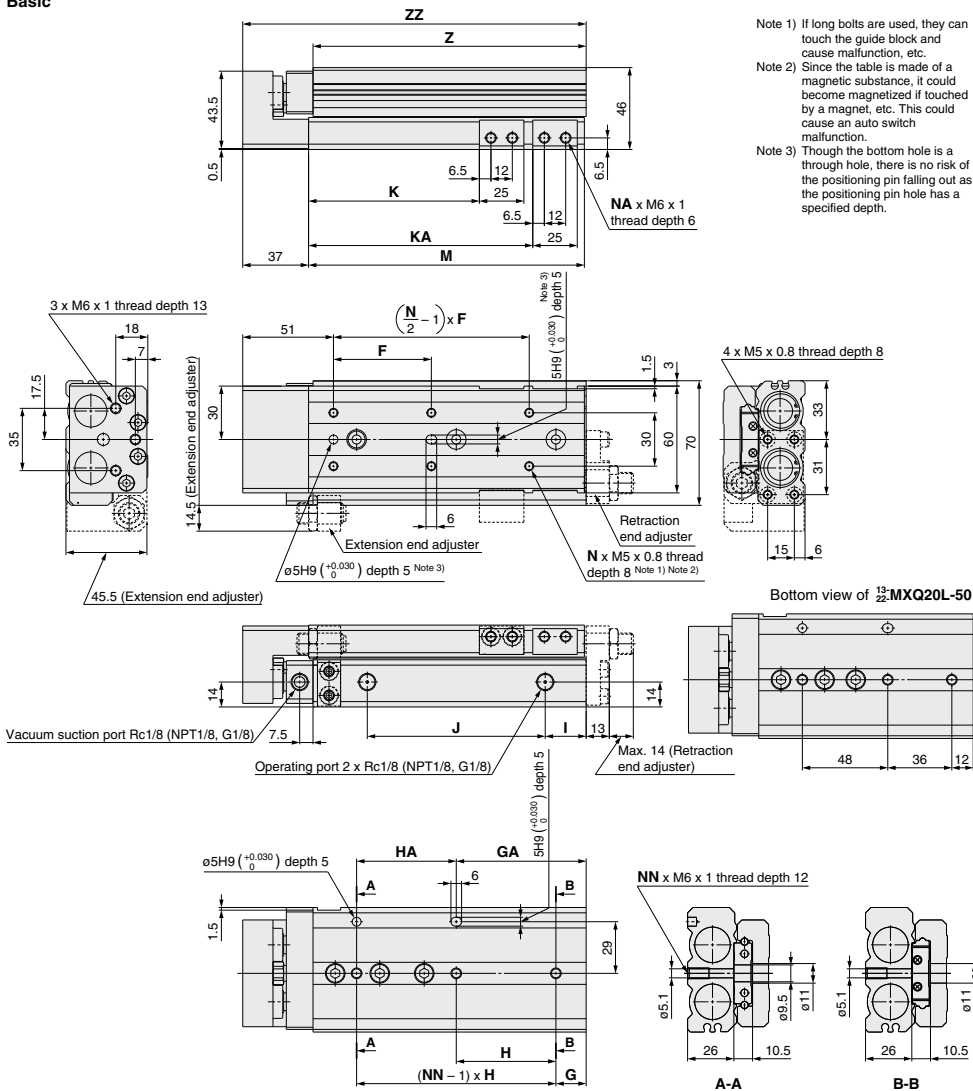
Fittings & Tubing

Flow Control Equipment

Pressure Switches/ Pressure Sensors

Dimensions: 13-22-MXQ20L / Symmetric Type

Basic



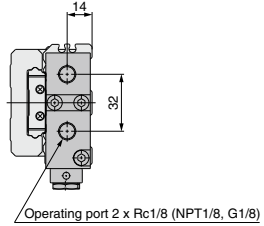
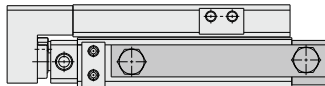
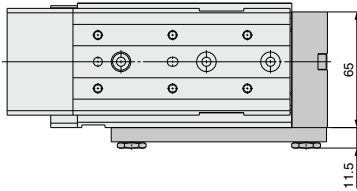
Note 1) If long bolts are used, they can touch the guide block and cause malfunction, etc.
 Note 2) Since the table is made of a magnetic substance, it could become magnetized if touched by a magnet, etc. This could cause an auto switch malfunction.
 Note 3) Though the bottom hole is a through hole, there is no risk of the positioning pin falling out as the positioning pin hole has a specified depth.

Model	F	N	G	H	NN	GA	HA	I	J	K	KA	NA	M	Z	ZZ
13-22-MXQ20L- 10	45	4	22	46	2	18	50	16	46	31	—	4	94	92.5	132
13-22-MXQ20L- 20	40	4	22	46	2	18	50	16	46	41	—	4	94	92.5	132
13-22-MXQ20L- 30	48	4	22	46	2	18	50	16	46	51	—	4	94	92.5	132
13-22-MXQ20L- 40	58	4	22	56	2	22	56	16	56	61	—	4	104	102.5	142
13-22-MXQ20L- 50	42	6	(Note)	(Note)	3	48	48	18	72	71	—	4	122	120.5	160
13-22-MXQ20L- 75	55	6	17	56	3	73	56	23	100	96	126	8	155	153.5	193
13-22-MXQ20L-100	50	8	18	56	4	74	112	25	155	121	183	8	212	210.5	250
13-22-MXQ20L-125	55	8	37	59	4	96	118	18	190	146	211	8	240	238.5	278
13-22-MXQ20L-150	62	8	56	62	4	118	124	21	215	171	239	8	268	266.5	306

(Note) Refer to the bottom view of 13-22-MXQ20L-50.

Dimensions: ¹³⁻/₂₂₋MXQ20L / Symmetric Type

Axial piping (ø20): ¹³⁻/₂₂₋MXQ20L-□□P



* Other dimensions are the same as basic type.

Directional Control Valves

Air Cylinders

Rotary Actuators

Air Grippers

Air Preparation Equipment

Modular F. R.

Pressure Control Equipment

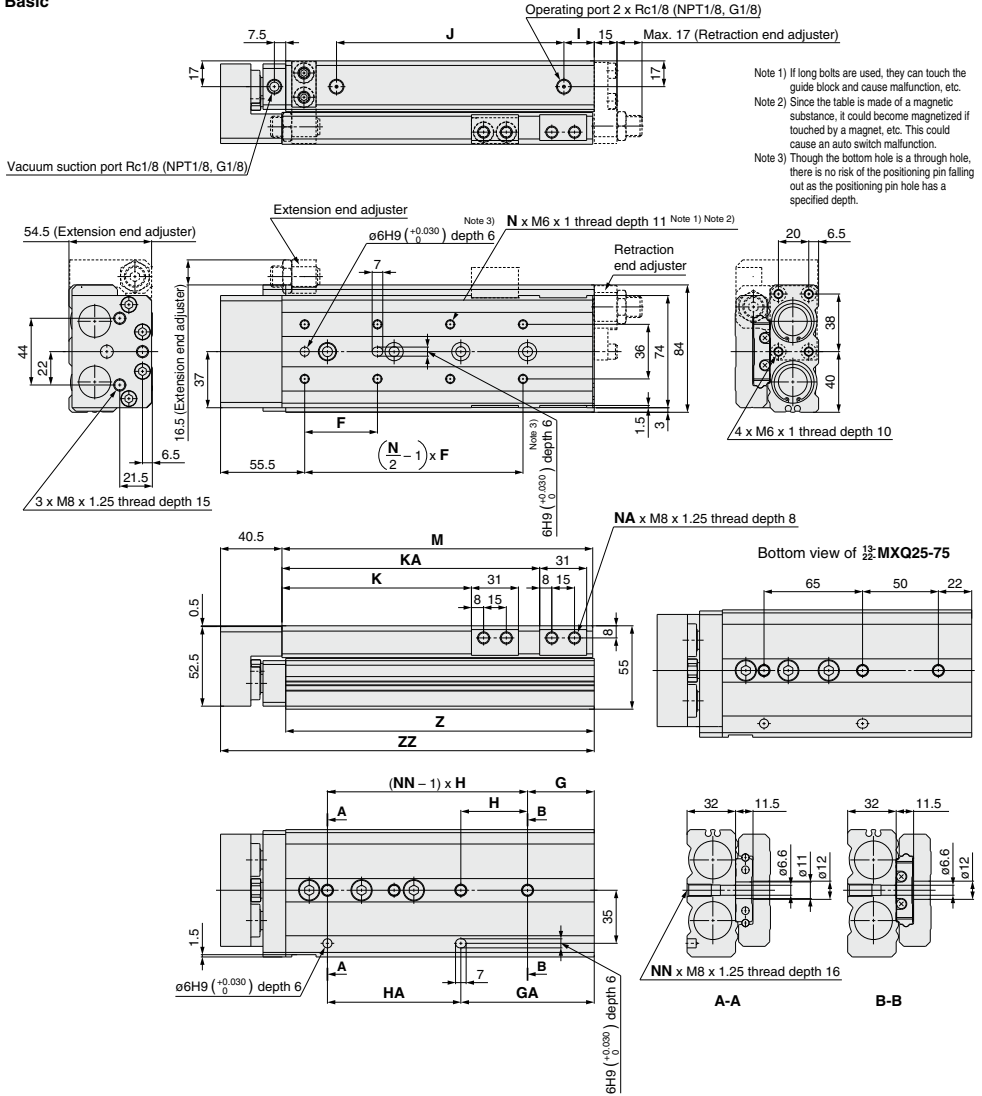
Fittings & Tubing

Flow Control Equipment

Pressure Switches/ Pressure Sensors

Dimensions: **13-22-MXQ25**

Basic

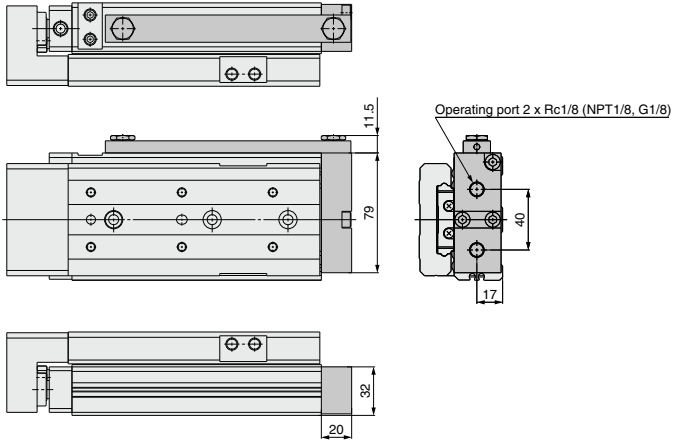


Model	F	N	G	H	NN	GA	HA	I	J	K	KA	NA	M	Z	ZZ
13-/22-MXQ25- 10	55	4	23	55	2	23	55	16	56	35	—	4	107	105.5	148.5
13-/22-MXQ25- 20	46	4	23	55	2	23	55	16	56	45	—	4	107	105.5	148.5
13-/22-MXQ25- 30	55	4	23	55	2	23	55	16	56	55	—	4	107	105.5	148.5
13-/22-MXQ25- 40	65	4	23	65	2	23	65	16	66	65	—	4	117	115.5	158.5
13-/22-MXQ25- 50	75	4	32	80	2	32	80	16	90	75	—	4	141	139.5	182.5
13-/22-MXQ25- 75	60	6	<small>(Note)</small>	<small>(Note)</small>	3	72	65	31	100	100	—	4	166	164.5	207.5
13-/22-MXQ25-100	48	8	44	44	4	88	88	20	150	125	170	8	205	203.5	246.5
13-/22-MXQ25-125	60	8	31	66	4	97	132	18	205	150	223	8	258	256.5	299.5
13-/22-MXQ25-150	65	8	56	66	4	122	132	18	230	175	248	8	283	281.5	324.5

Note) Refer to the bottom view of 13-22-MXQ25-75.

Dimensions: ¹³⁻₂₂₋MXQ25

Axial piping (ø25): ¹³⁻₂₂₋MXQ25-□□P



* Other dimensions are the same as basic type.

Directional Control Valves

Air Cylinders

Rotary Actuators

Air Grippers

Air Preparation Equipment

Modular F. R.

Pressure Control Equipment

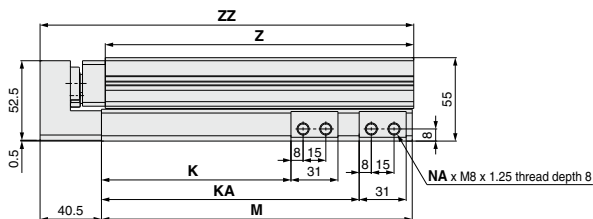
Fittings & Tubing

Flow Control Equipment

Pressure Switches/ Pressure Sensors

Dimensions: 13-22-MXQ25L / Symmetric Type

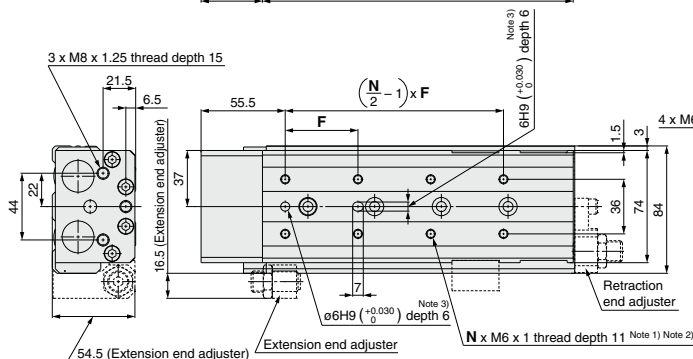
Basic



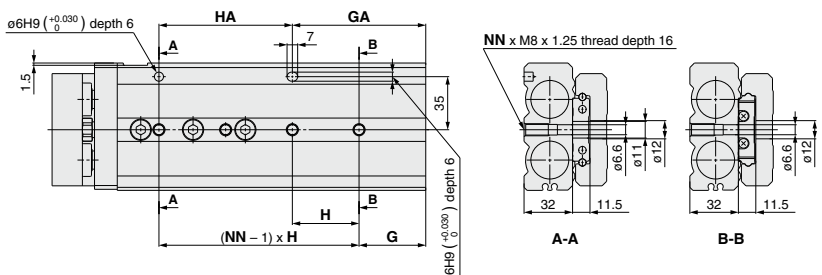
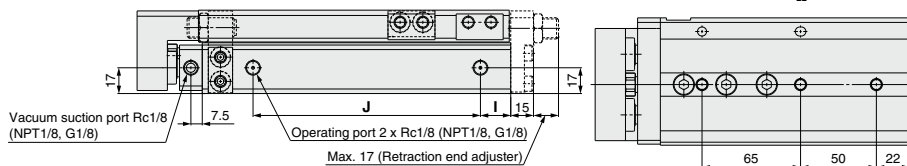
Note 1) If long bolts are used, they can touch the guide block and cause malfunction, etc.

Note 2) Since the table is made of a magnetic substance, it could become magnetized if touched by a magnet, etc. This could cause an auto switch malfunction.

Note 3) Though the bottom hole is a through hole, there is no risk of the positioning pin falling out as the positioning pin hole has a specified depth.



Bottom view of 13-22-MXQ25L-75

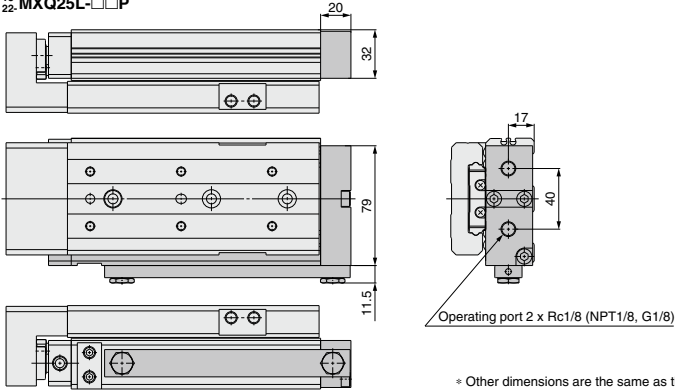


Model	F	N	G	H	NN	GA	HA	I	J	K	KA	NA	M	Z	ZZ
13-/22-MXQ25L- 10	55	4	23	55	2	23	55	16	56	35	—	4	107	105.5	148.5
13-/22-MXQ25L- 20	46	4	23	55	2	23	55	16	56	45	—	4	107	105.5	148.5
13-/22-MXQ25L- 30	55	4	23	55	2	23	55	16	56	55	—	4	107	105.5	148.5
13-/22-MXQ25L- 40	65	4	23	65	2	23	65	16	66	65	—	4	117	115.5	158.5
13-/22-MXQ25L- 50	75	4	32	80	2	32	80	16	90	75	—	4	141	139.5	182.5
13-/22-MXQ25L- 75	60	6	<small>-(Note)</small>	<small>-(Note)</small>	3	72	65	31	100	100	—	4	166	164.5	207.5
13-/22-MXQ25L-100	48	8	44	44	4	88	88	20	150	125	170	8	205	203.5	246.5
13-/22-MXQ25L-125	60	8	31	66	4	97	132	18	205	150	223	8	258	256.5	299.5
13-/22-MXQ25L-150	65	8	56	66	4	122	132	18	230	175	248	8	283	281.5	324.5

Note) Refer to the bottom view of 13-22-MXQ25L-75.

Dimensions: 13-22-MXQ25L / Symmetric Type

Axial piping (ø25): 13-22-MXQ25L-□□P



Made to Order

1. Anti-corrosive guide unit -X42

13-22-MXQ **Standard model no. -X42**

Martensitic stainless steel is used for table and guide block. Use this treatment if more effective anti-corrosiveness is necessary. Table and guide block are given anti-corrosive treatment ^{Note 2)}.

Note 1) Dimensions are the same as standard type.

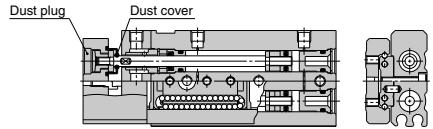
Note 2) Special anti-corrosive treatment makes the table and guide block black.

2. Dust cover and dust plug made by fluororubber -X52

13-MXQ **Standard model no. -X52**

Fluororubber is used for the dust cover and the dust plug instead of silicone rubber for standard one.

Note 1) Dimensions are the same as standard type.



⚠ Specific Product Precautions

Be sure to read this before handling.

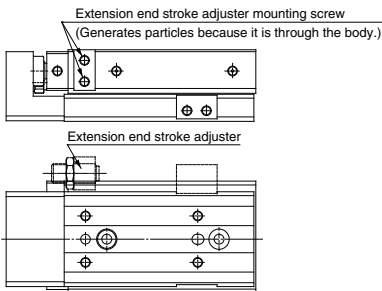
Handling

⚠ Caution

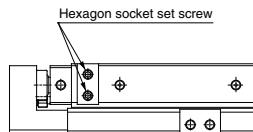
In case the extension end stroke adjuster is removed, plug the mounting hole.

Particle generation may occur because the bottom hole of the mounting screw penetrates the body. Consult with SMC for more information.

Applicable bore size (mm)	12, 16, 20, 25
---------------------------	----------------



In case of types without extension end adjuster, the hole is plugged with a hexagon socket set screw at the time of shipment.



Directional Control Valves
Air Cylinders
Rotary Actuators
Air Grippers
Air Preparation Equipment
Modular F. R.
Pressure Control Equipment
Fittings & Tubing
Flow Control Equipment
Pressure Switches/ Pressure Sensors