

# Made to Order Common Specifications: -XC57: Rodless Cylinder with Floating Joint



## 47 Rodless Cylinder with Floating Joint

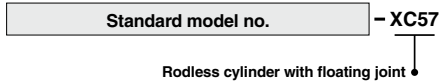
Symbol  
**-XC57**

A special floating joint has been added to the CY3B series, which reduces the amount of labor that is required for connecting the cylinder to the guide of another shaft (load side). The bolts used for joining the floating joint to the load can be secured either from above or below. (CY3B (-Z) with a  $\phi 6$  or  $\phi 10$  bore must be secured from above.)

### Applicable Series

Series	Description	Model	Action	Vol. no. (for std model)
CY3	Magnetically coupled rodless cylinder	CY3B-Z	Double acting	Web Catalog
		CY3B	Double acting	
		CY3R	Double acting	
REA	Sine rodless cylinder	REA	Double acting	
		REAR	Double acting	
REB	Sine rodless cylinder	REBR	Double acting	

### How to Order



Note) The body of this cylinder is for connecting to the floating joint so that it cannot be connected to the body of the standard type.

Specifications: Same as standard type

# Made to Order Common Specifications: -XC57: Rodless Cylinder with Floating Joint

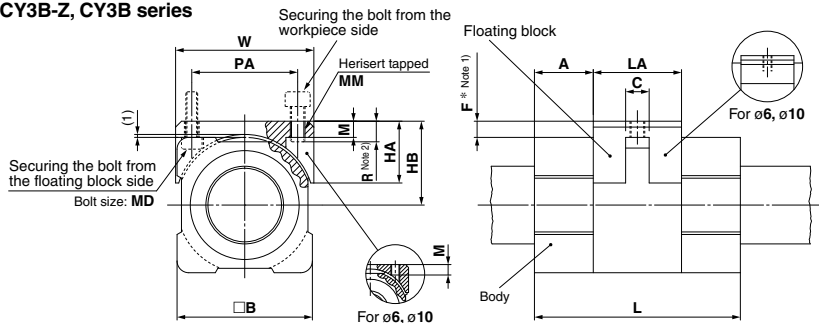


## 47 Rodless Cylinder with Floating Joint

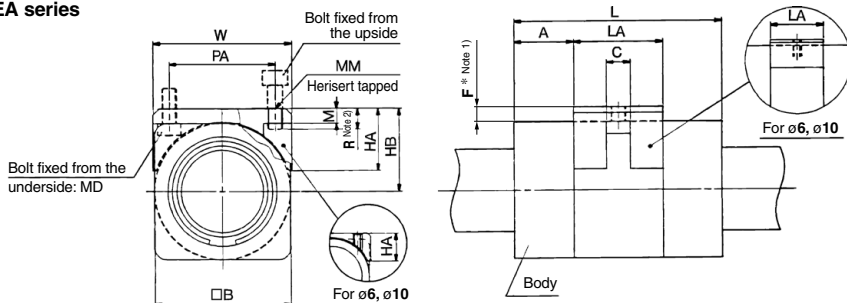
Symbol  
**-XC57**

**Construction/Dimensions (Other dimensions are the same as standard.)**

### CY3B-Z, CY3B series



### REA series



Bore size (mm)	A	□B	C	F <sup>(1)</sup>	HA	HB	L	LA	MM	MD	M	PA	R <sup>(2)</sup>	W
6	10	17	—	2.5	6.3	11	35	15	M3 x 0.5 x 3L	—	3	12	—	18
10	10	25	—	2.5	9.5	15	38	18	M3 x 0.5 x 3L	—	3.5	17	—	26
15	16	35	6.5	5.5	16.5	23	57	25	M4 x 0.7	M3	4.5	25	6	36
20	18	36	6.5	5.5	17	23.5	66	30	M4 x 0.7	M3	4.5	27	6	37
25	20	46	8.0	5.5	21	28.5	70	30	M5 x 0.8	M4	5.5	36	7	47
32	22.5	60	9.5	6.0	27.5	36	80	35	M6 x 1.0	M5	6.5	47	8	61
40	26	70	9.5	6.0	28.5	41	92	40	M6 x 1.0	M5	6.7	55	8	71
50	35	86	11	6.0	35	49	110	40	M8 x 1.25	M6	8.5	65	11	87
63	36	100	18	7.0	42	57	122	50	M8 x 1.25	M6	10	80	11	101

Note 1) With dimension F<sup>1</sup>, the amount of clearance between the body and the floating joint is 1 mm. The self weight deflection of the cylinder tube is not taken into account. Before operating the cylinder, determine the proper value by taking the amount of self weight deflection and the amount of off-centering from the other shaft into consideration.

Note 2) When the bolts are secured from above, be aware that if the cylinder is operated when dimension R (on ø6 and ø10, 3 mm or over) is exceeded, the end of the bolt could come in contact with the body, without being able to achieve the floating effect.

# Made to Order Common Specifications: -XC57: Rodless Cylinder with Floating Joint



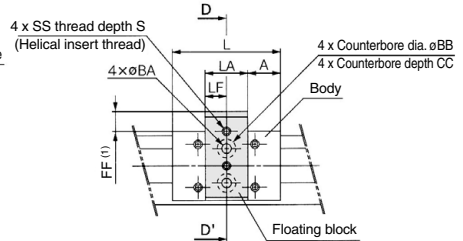
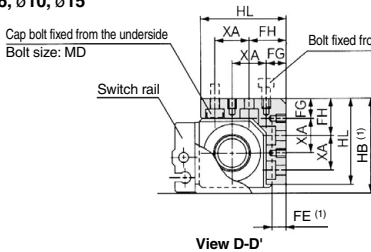
## 47 Rodless Cylinder with Floating Joint

Symbol  
**-XC57**

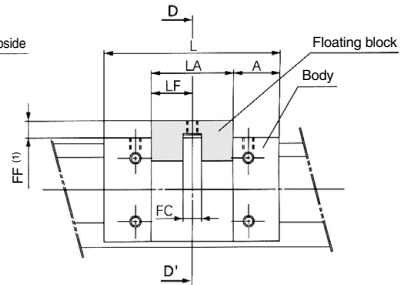
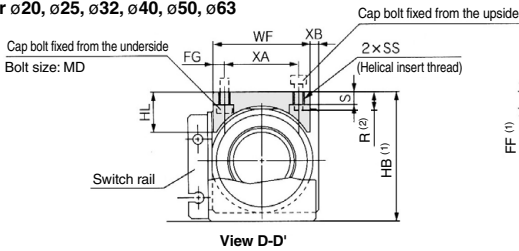
### Construction/Dimensions

CY3R series  
REAR, REBR series

For  $\phi 6$ ,  $\phi 10$ ,  $\phi 15$



For  $\phi 20$ ,  $\phi 25$ ,  $\phi 32$ ,  $\phi 40$ ,  $\phi 50$ ,  $\phi 63$



Bore size (mm)	A	BA	BB	CC	FC	FE <sup>(1)</sup>	FF <sup>(1)</sup>	FG	FH	HB <sup>(1)</sup>	HL	L	LA	LF	MD	R <sup>(2)</sup>	S	SS	WF	XA	XB
6	9.5	3.4	6.5	3.3	—	5	7	5.5	10.5	26	23	34	15	7.5	M3	—	3.5	M3 x 0.5	—	10	—
10	11.5	3.4	6.5	3.3	—	5	7	7	13	33	30	38	15	7.5	M3	—	3.5	M3 x 0.5	—	12	—
15	18	4.5	8	4.4	—	4.5	6.5	7.5	14.5	38.5	35.5	53	17	8.5	M4	—	4.5	M4 x 0.7	—	14	—
20	16.5	—	—	—	6.5	—	6	4	—	45	14	62	29	14.5	M3	7	4.5	M4 x 0.7	34	26	3
25	20.5	—	—	—	8	—	7	4	—	51	17	70	29	14.5	M4	8	5.5	M5 x 0.8	39	31	3
32	21	—	—	—	9.5	—	7.5	4.5	—	62.5	22	76	34	17	M5	10	6.5	M6 x 1	50	41	3
40	25.5	—	—	—	9.5	—	7.5	7.5	—	74.5	28	90	39	19.5	M5	10	6.5	M6 x 1	60	45	3
50	35.5	—	—	—	11	—	7.5	9	—	92.5	38	110	39	19.5	M6	15	10	M8 x 1.25	78	60	3
63	34.5	—	—	—	18	—	7.5	10	—	104.5	39	118	49	24.5	M6	15	10	M8 x 1.25	90	70	3

Note 1) With dimension FE, FF, and HB, the amount of clearance between the body and the floating joint is 1 mm. The self weight deflection of the cylinder tube is not taken into account. Before operating the cylinder, determine the proper value by taking the amount of self weight deflection and the amount of off-centering with the other shaft into consideration.

Note 2) When the bolts are secured from above, be aware that if the cylinder is operated when dimension R is exceeded, the end of the bolt could come in contact with the body, without being able to achieve the floating effect.