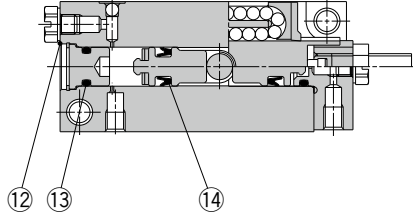


## Construction

### MXP6



\* The numbers correspond with those in the "Construction" of the MXP series in the **Web Catalog**.

#### Seal Kit List

No.	Description	Material	Note
⑫	<b>Gasket (for plug)</b>	PVC	
⑬	<b>O-ring</b>	NBR	
⑭	<b>Piston seal</b>		

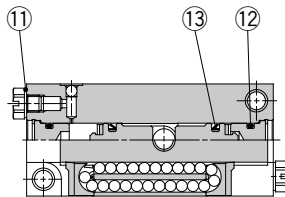
#### Replacement Parts: Seal Kit

Bore size (mm)	Part no.	Contents
6	MXP6-PS	A set of two of ⑫, ⑬ and ⑭ each

#### Replacement Parts: Grease Pack

Applied unit	Grease pack part no.
Guide unit	GR-S-010 (10 g)
	GR-S-020 (20 g)
Cylinder unit	GR-L-005 (5 g)
	GR-L-010 (10 g)

### MXPJ6



\* The numbers correspond with those in the "Construction" of the MXP series in the **Web Catalog**.

#### Seal Kit List

No.	Description	Material	Note
⑪	<b>Gasket (for plug)</b>	PVC	
⑫	<b>O-ring</b>	NBR	
⑬	<b>Piston seal</b>		

#### Replacement Parts: Seal Kit

Bore size (mm)	Part no.	Contents
6	MXPJ6-PS	2 pieces of nos. ⑪, ⑫ and ⑬

#### Replacement Parts: Grease Pack

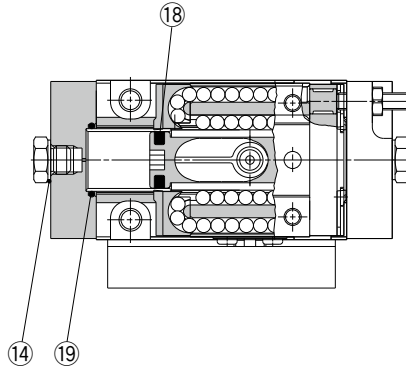
Applied unit	Grease pack part no.
Guide unit	GR-S-010 (10 g)
	GR-S-020 (20 g)
Cylinder unit	GR-L-005 (5 g)
	GR-L-010 (10 g)

# MXP Series

ø8, ø10, ø12, ø16



## Construction



\* The numbers correspond with those in the "Construction" of the MXP series in the **Web Catalog**.

### Seal Kit List

No.	Description	Material	Note
14	<b>Gasket (for plug)</b>	NBR, stainless steel	
18	<b>Piston seal</b>	NBR	
19	<b>O-ring</b>		

### Replacement Parts: Seal Kit

Bore size (mm)	Part no.	Contents
8	MXP8-PS	A set of two of 14, 18 and 19 each
10	MXP10-PS	
12	MXP12-PS	
16	MXP16-PS	

### Replacement Parts: Grease Pack

Applied unit	Grease pack part no.
Guide unit	GR-S-010 (10 g)
	GR-S-020 (20 g)
Cylinder unit	GR-L-005 (5 g)
	GR-L-010 (10 g)

Actuators

Rotary Actuators  
Air Grippers

Modular F.R.L.  
Pressure Control Equipment

Air Preparation  
Equipment

Industrial Filters

Replacement  
Procedure

Actuators

Rotary Actuators  
Air Grippers

Modular F.R.L.  
Pressure Control Equipment

Air Preparation Equipment  
Industrial Filters