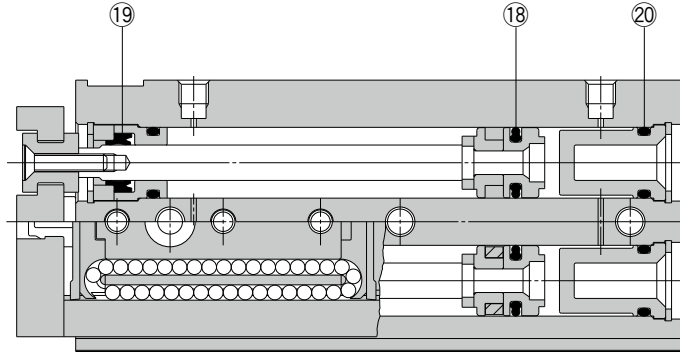


MXQR Series

ø6, ø8, ø12
ø16, ø20, ø25



Construction



* The numbers correspond with those in the "Construction" of the MXQR series in the **Web Catalog**.

Seal Kit List

No.	Description	Material	Note
18	Piston seal	NBR	
19	Rod seal		
20	O-ring		

Replacement Parts: Seal Kit

Bore size (mm)	Part no.	Contents
6	MXQ6-PS	Set of nos. 18, 19, 20
8	MXQ8-PS	
12	MXQ12-PS	
16	MXQ16-PS	
20	MXQ20-PS	
25	MXQ25-PS	

* The seal kit includes these seals to provide as a set. Order the seal kit based on each bore size.

Replacement Parts: Grease Pack

Applied part	Grease pack part no.
Guide unit	GR-S-010 (10 g)
	GR-S-020 (20 g)
Cylinder unit	GR-L-005 (5 g)
	GR-L-010 (10 g)

Actuators

Rotary Actuators
Air Grippers

Modular F.R.L.
Pressure Control Equipment

Air Preparation
Equipment

Industrial Filters

Replacement
Procedure

Actuators

Rotary Actuators
Air Grippers

Modular F.R.L.
Pressure Control Equipment

Air Preparation Equipment
Industrial Filters