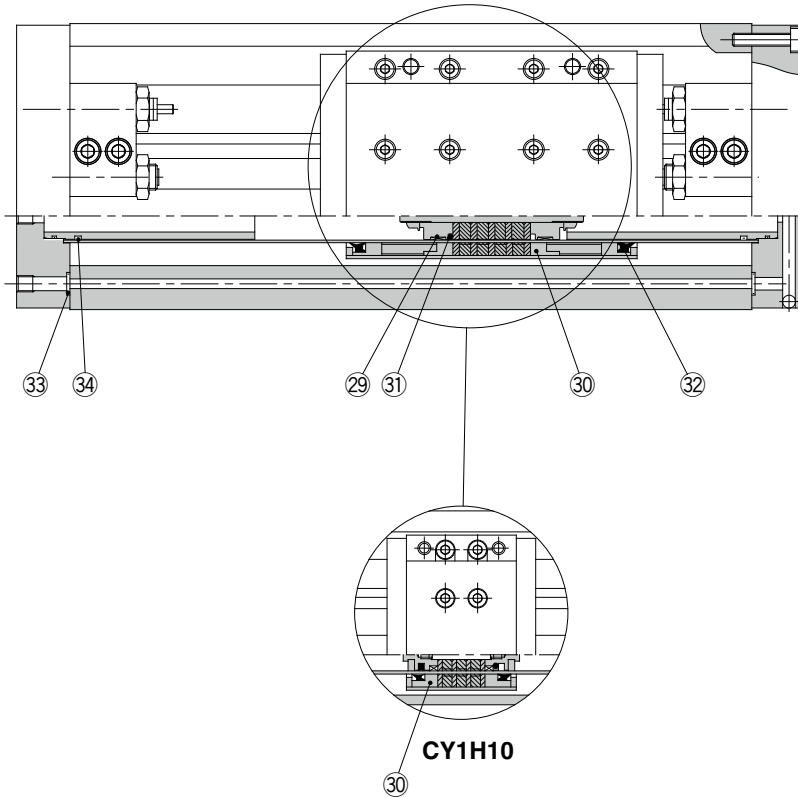


# CY1H Series

Single Axis Type:  
 ø10, ø15, ø20, ø25

## Construction

### Single axis type



\* The numbers correspond with those in the "Construction" of the CY1H series in the **Web Catalog**.

### Seal Kit List

No.	Description	Material	Note
29	<b>Wear ring A</b>	Special resin	
30	<b>Wear ring B</b>	Special resin	
31	<b>Piston seal</b>	NBR	
32	<b>Scraper</b>	NBR	
33	<b>O-ring</b>	NBR	
34	<b>O-ring</b>	NBR	

### Replacement Parts: Seal Kit

Bore size (mm)	Part no.	Contents
10	CY1H10-PS	Set of nos. 30, 31, 32, 33, 34
15	CY1H15-PS	Set of nos. 29, 30, 31, 32, 33, 34
20	CY1H20-PS	
25	CY1H25-PS	

Note 1) The seal kit includes 30 to 34 for ø10. 29 to 34 are for ø15 to ø25.  
 Order the seal kit based on each bore size.

Note 2) For wear ring A, ø10, please consult with SMC.

\* The seal kit includes a grease pack (ø10: 5 and 10 g, ø15 to ø25: 10 g).  
 Order with one of the following part numbers when only the grease pack is required.

**Grease pack part no. for ø10: GR-F-005** (5 g) for external sliding parts,  
**GR-S-010** (10 g) for tube interior  
**Grease pack part no. for ø15 to ø25: GR-S-010** (10 g)

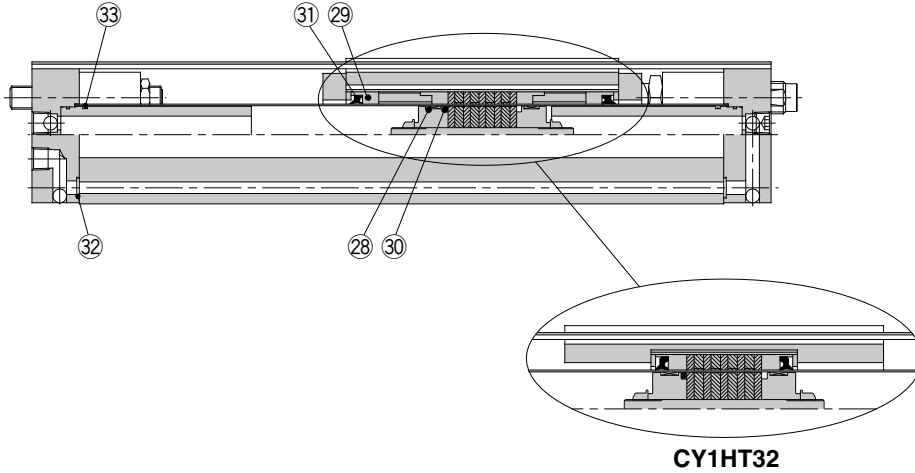
# Magnetically Coupled Rodless Cylinder/Linear Guide Type

# CY1H Series

Double Axis Type:  $\varnothing 25, \varnothing 32$

## Construction

### Double axes type



\* The numbers correspond with those in the "Construction" of the CY1H series in the **Web Catalog**.

### Seal Kit List

No.	Description	Material	Material
28	Wear ring A	Special resin	
29	Wear ring B	Special resin	
30	Piston seal	NBR	
31	Scraper	NBR	
32	O-ring	NBR	
33	O-ring	NBR	

### Replacement Parts: Seal Kit

Bore size (mm)	Part no.	Contents
25	CY1HT25-PS	Set of nos.
32	CY1HT32-PS	28, 29, 30, 31, 32, 33

Note 1) The seal kit includes 28 to 33. Order the seal kit based on each bore size.

\* The seal kit includes a grease pack (10 g).

Order with the following part number when only the grease pack is required.

**Grease pack part no.: GR-S-010 (10 g)**